

IT'S BLUE
IT'S GREEN
IT'S FIRAD

Release 09 | 2024



FIRAD[®]

CUMMINS -SCANIA
Cummins ISX15, Scania XPI, DC
CATALOGUE



FIRAD[®]

LET THE FUTURE COME



**OEM CODES AND PARTS NUMBERS ARE
GIVEN FOR REFERENCE PURPOSE ONLY**

OEM CODES AND PARTS NUMBERS ARE GIVEN FOR REFERENCE PURPOSE ONLY



ABBREVIATIONS

- Holes

In this section are reported the information about how many micro holes there are and their diameter, in this following way: <N.microholes> x <Diameter microholes>

- Angles

In this section are reported the information related to nozzle and micro holes angular position

Engine Angle	Spray Angle
A	B



OEM CODES AND PARTS NUMBERS ARE GIVEN FOR REFERENCE PURPOSE ONLY

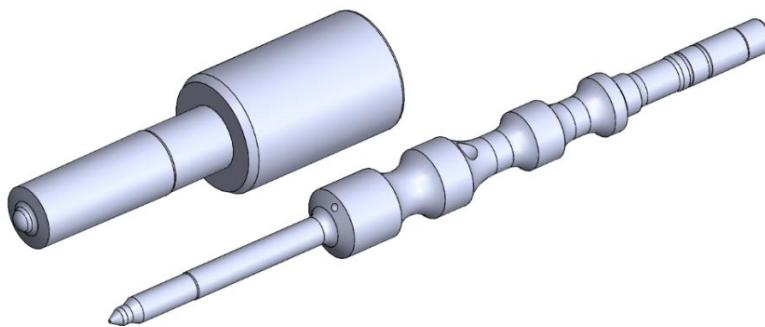


FIRAD®

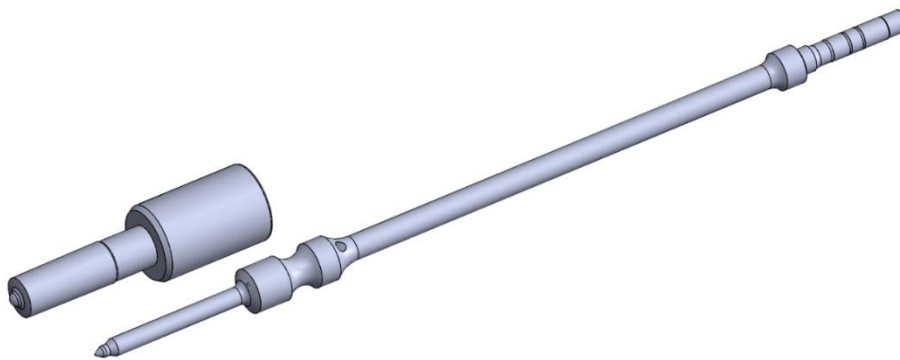
LET THE FUTURE COME



Cummins ISC, ISL, QSL, QSC, ISX, Scania XPI Nozzles

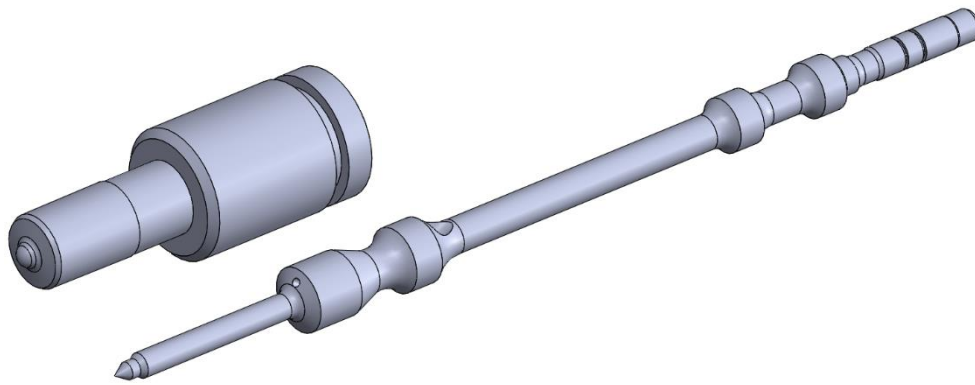


FIRAD code	Engine Angle	Spray Angle	OE Injector Part Number	Stamping	Engines	Holes
145P4928562	0°	145°	2872127 4954927	P4928562	ISC, ISL, QSL, QSC	7 x 0,180

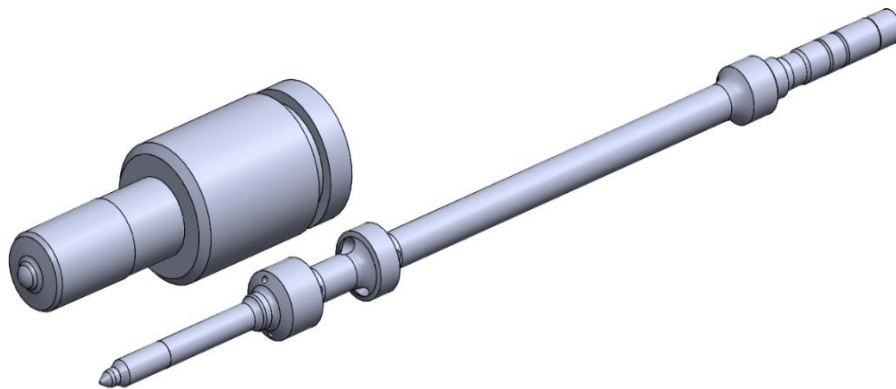


FIRAD code	Engine Angle	Spray Angle	OE Injector Part Number	Stamping	Engines	Holes
146P4307083	0°	146°		P4307083FSW	ISX	8 x 0,190

OEM CODES AND PARTS NUMBERS ARE GIVEN FOR REFERENCE PURPOSE ONLY



FIRAD code	Engine Angle	Spray Angle	OE Injector Part Number	Reman Injector Part Number	Stamping	Engines	Holes
148P2872320	0°	148°	2031835	575176	P2872320	DC9 DC13 DC16	8 x 0,160
148P2872321	0°	148°	2086663	575177	P2872321	DC9 DC13 DC16	8 x 0,175
148P4954707	0°	148°	1881564		P4954707	DC9 DC13 DC16	8 x 0,160
145P4984850	0°	145°	2872405	5579417	P4984850	ISX 15	8 x 0,185



OEM CODES AND PARTS NUMBERS ARE GIVEN FOR REFERENCE PURPOSE ONLY

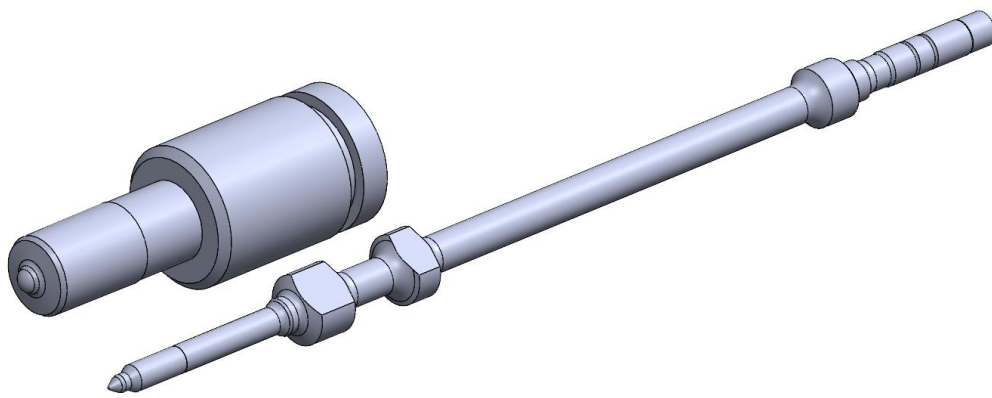


FIRAD®

LET THE FUTURE COME



FIRAD code	Engine Angle	Spray Angle	OE Injector Part Number	Reman Injector Part Number	Stamping	Engines	Holes
146P2897551	0°	146°	2057401	574423	P2897551	DC9 DC13 DC16	9 x 0,185



FIRAD code	Engine Angle	Spray Angle	OE Injector Part Number	Reman Injector Part Number	Stamping	Engines	Holes
146P4384025	0°	146°	4984369		P4384025	DC13	10 x 0,22

OEM CODES AND PARTS NUMBERS ARE GIVEN FOR REFERENCE PURPOSE ONLY