

IT'S BLUE
IT'S GREEN
IT'S FIRAD

Release 04 | 2026



FIRAD[®]

CUMMINS -SCANIA
Cummins ISX15, Scania XPI, DC
CATALOGUE



**OEM CODES AND PARTS NUMBERS ARE
GIVEN FOR REFERENCE PURPOSE ONLY**

OEM CODES AND PARTS NUMBERS ARE GIVEN FOR REFERENCE PURPOSE ONLY



ABBREVIATIONS

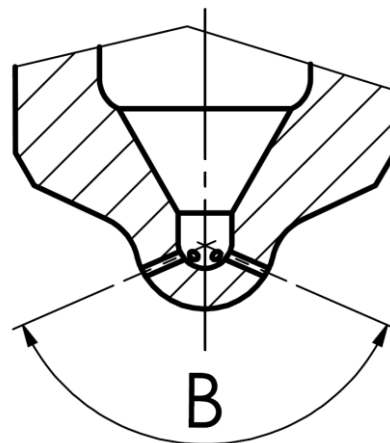
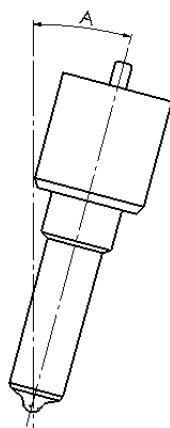
- Holes

In this section are reported the information about how many micro holes there are and their diameter, in this following way: <N.microholes> x <Diameter microholes>

- Angles

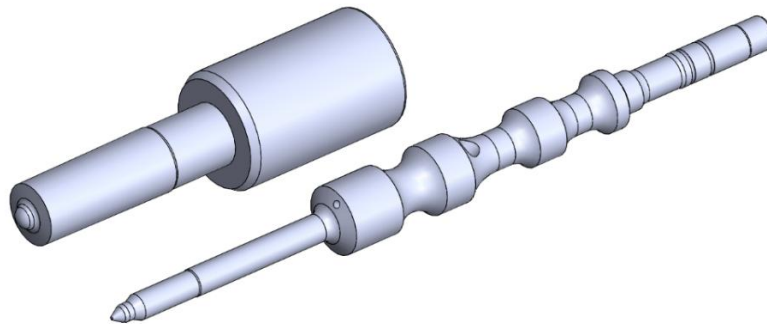
In this section are reported the information related to nozzle and micro holes angular position

Engine Angle	Spray Angle
A	B

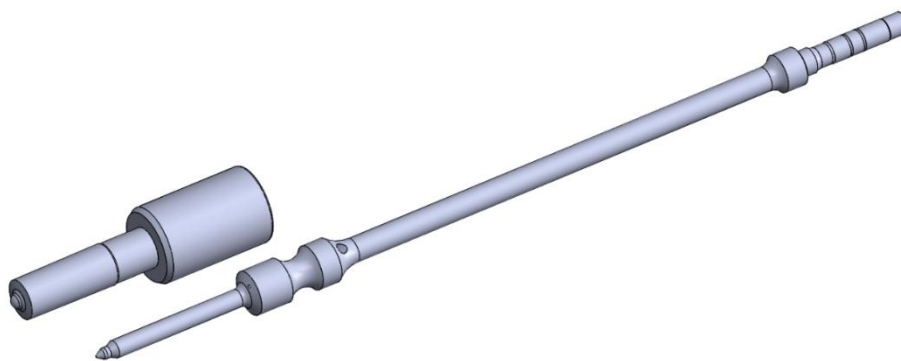


OEM CODES AND PARTS NUMBERS ARE GIVEN FOR REFERENCE PURPOSE ONLY

Cummins ISC, ISL, QSL, QSC, ISX, Scania XPI Nozzles



FIRAD code	Engine Angle	Spray Angle	OE Injector Part Number	Stamping	Engines	Holes
145P4928562	0°	145°	2872127 4954927	P4928562	ISC, ISL, QSL, QSC	7 x 0,180
146P5955033	0°	146°	5579409PX 2872331PX 5779405PX 2872765PX	P5955033		7 x 0,165
145P5491719FSW	0°	145°	5594305	P5491719FSW		



FIRAD code	Engine Angle	Spray Angle	OE Injector Part Number	Stamping	Engines	Holes
146P4307083	0°	146°		P4307083FSW	ISX	8 x 0,190

OEM CODES AND PARTS NUMBERS ARE GIVEN FOR REFERENCE PURPOSE ONLY

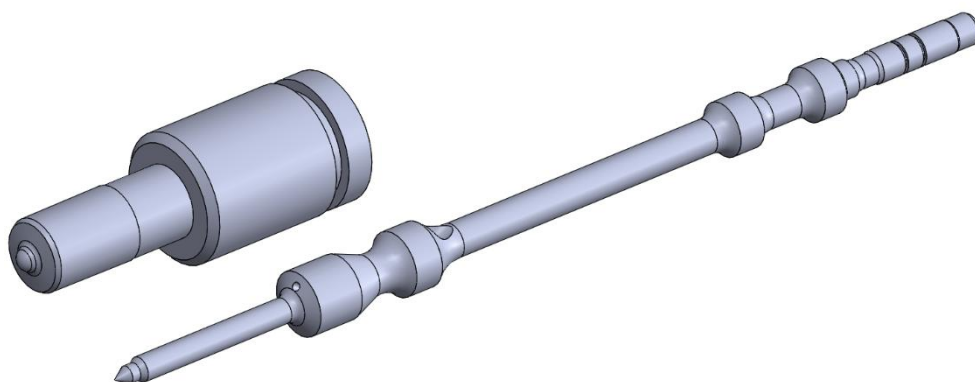


FIRAD®

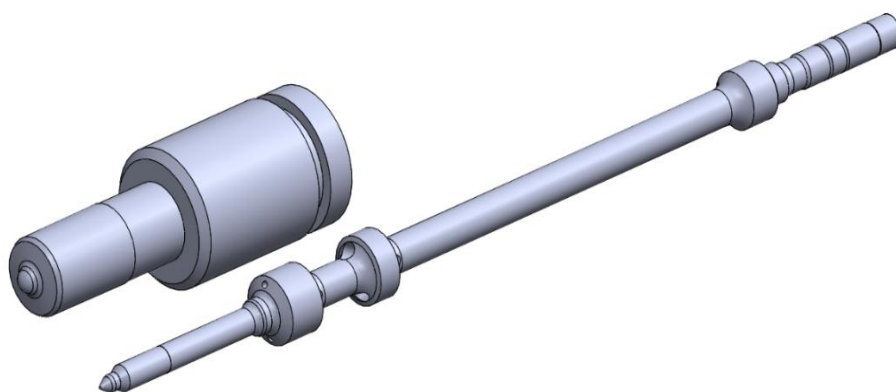
LET THE FUTURE COME



OEM CODES AND PARTS NUMBERS ARE GIVEN FOR REFERENCE PURPOSE ONLY



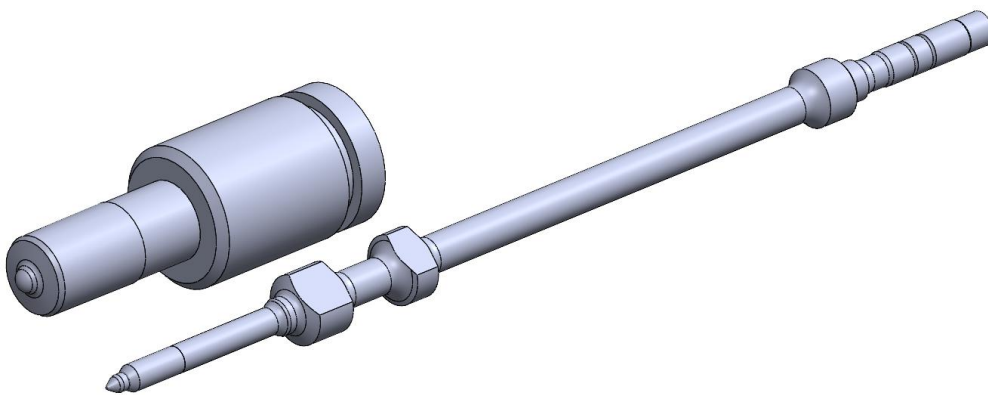
FIRAD code	Engine Angle	Spray Angle	OE Injector Part Number	Reman Injector Part Number	Stamping	Engines	Holes
148P2872320	0°	148°	2031835	575176	P2872320	DC9 DC13 DC16	8 x 0,160
148P2872321	0°	148°	2086663	575177	P2872321	DC9 DC13 DC16	8 x 0,175
148P4954707	0°	148°	1881564		P4954707	DC9 DC13 DC16	8 x 0,160
145P4984850	0°	145°	2872405	5579417	P4984850	ISX 15	8 x 0,185



OEM CODES AND PARTS NUMBERS ARE GIVEN FOR REFERENCE PURPOSE ONLY



FIRAD code	Engine Angle	Spray Angle	OE Injector Part Number	Reman Injector Part Number	Stamping	Engines	Holes
146P2897551	0°	146°	2057401	574423	P2897551	DC9 DC13 DC16	9 x 0,185



FIRAD code	Engine Angle	Spray Angle	OE Injector Part Number	Reman Injector Part Number	Stamping	Engines	Holes
146P4384025	0°	146°	4984369		P4384025	DC13	10 x 0,22
146P4327092	0°	146°	2264458		P4327092	DC09/DC13/DC16	10 x 0,20
146P5461802	0°	146°			P5461802		10 x 0,215

OEM CODES AND PARTS NUMBERS ARE GIVEN FOR REFERENCE PURPOSE ONLY