

IT'S BLUE  
IT'S GREEN  
IT'S FIRAD

Release 11 | 2024



**FIRAD®**

L'ORANGE-MTU  
INJECTORS  
CATALOGUE

**OEM CODES AND PARTS NUMBERS ARE  
GIVEN FOR REFERENCE PURPOSE ONLY**

OEM CODES AND PARTS NUMBERS ARE GIVEN FOR REFERENCE PURPOSE ONLY



## ABBREVIATIONS

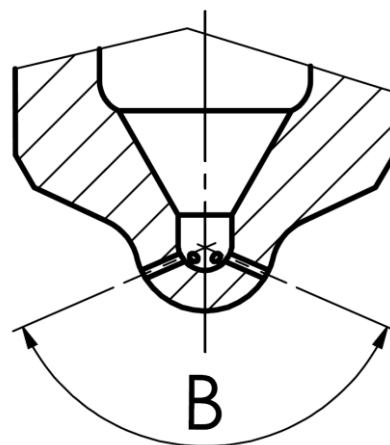
### - Holes

In this section are reported the information about how many micro holes there are and their diameter, in this following way: <N.microholes> x <Diameter microholes>

### - Angles

In this section are reported the information related to nozzle and micro holes angular position

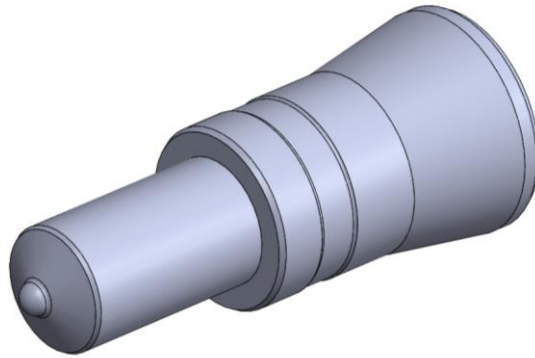
Engine Angle	Spray Angle
A	B



OEM CODES AND PARTS NUMBERS ARE GIVEN FOR REFERENCE PURPOSE ONLY



## MTU SERIES 4000.01



FIRAD code	L'Orange® Stamping	BOSCH® Injector Code	L'Orange® Injector Code	Engine Angle	Spray Angle	Holes
MF002	LTO-U9108a	VTO-G166W48B VTO-G466W48B	0010106951 X52407500050	0°	160°	8 x 0,32
MF005	LTO-U90905b/E	VTO-B160BM VTO-G160BM VTO-G163BD VTO-G241W48B VTO-G260BM VTO-G263BD VTO-G360BM VTO-G463BD	0010104251 X52407500042 X52407500021 X52407500043	0°		

OEM CODES AND PARTS NUMBERS ARE GIVEN FOR REFERENCE PURPOSE ONLY

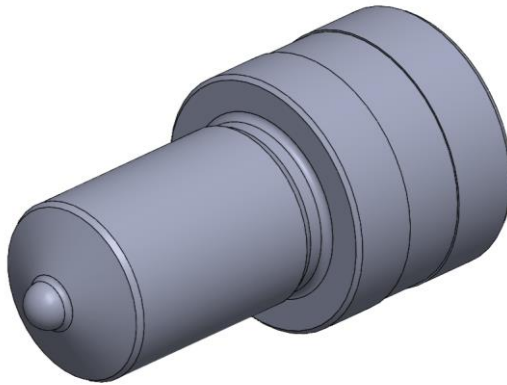


# FIRAD®

LET THE FUTURE COME



## MTU SERIES 4000.03



FIRAD code	L'Orange® Stamping	BOSCH® Injector Code	L'Orange® Injector Code	Engine Angle	Spray Angle	Holes
MF001	LTO-U9196IV51	VTO-G209LV51 VTO-G262L51D VTO-G202LV51	X59407500014 X59407500004	0°	125°	6 x 0,36
MF004	LTO-U9196tV46	VTO-G238TV46	X59407500016 X59407500087	0°	133°	8 x 0,32

OEM CODES AND PARTS NUMBERS ARE GIVEN FOR REFERENCE PURPOSE ONLY

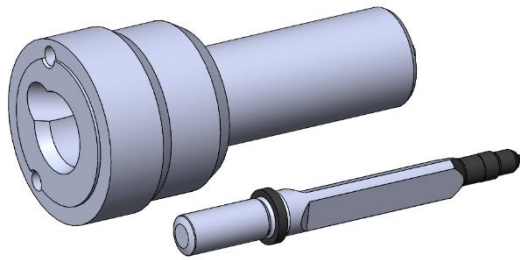


# FIRAD®

LET THE FUTURE COME



## MTU SERIES 2000



FIRAD code	L'Orange® Stamping	BOSCH® Injector Code	L'Orange® Injector Code	Engine Angle	Spray Angle	Holes
<b>QKFDA 00BD4</b>	F00BD00004	F00BLOJ004 F00BLOJ005 F00BLOJ011 F00BLOJ012 Y431K05350 0986435617 Y431K05351 Y431K05210	X51107500005 X51107500011	0°	131°	8 x 0,270
<b>QKFDA26 5700</b>	B433265700	VTO-G238TV46	X00040691	0°	133°	8 x 0,265

OEM CODES AND PARTS NUMBERS ARE GIVEN FOR REFERENCE PURPOSE ONLY