

IT'S BLUE
IT'S GREEN
IT'S FIRAD

Release 11 | 2024



FIRAD[®]

L'ORANGE-MTU
INJECTORS
CATALOGUE



FIRAD[®]

LET THE FUTURE COME



**OEM CODES AND PARTS NUMBERS ARE
GIVEN FOR REFERENCE PURPOSE ONLY**

OEM CODES AND PARTS NUMBERS ARE GIVEN FOR REFERENCE PURPOSE ONLY



ABBREVIATIONS

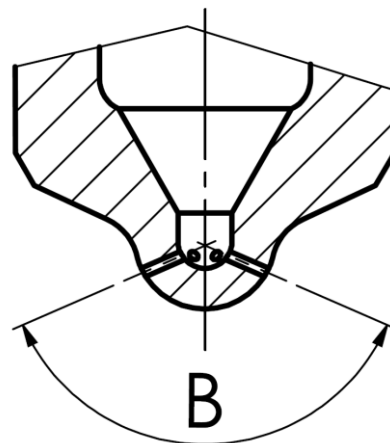
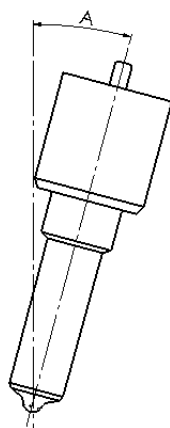
- Holes

In this section are reported the information about how many micro holes there are and their diameter, in this following way: <N.microholes> x <Diameter microholes>

- Angles

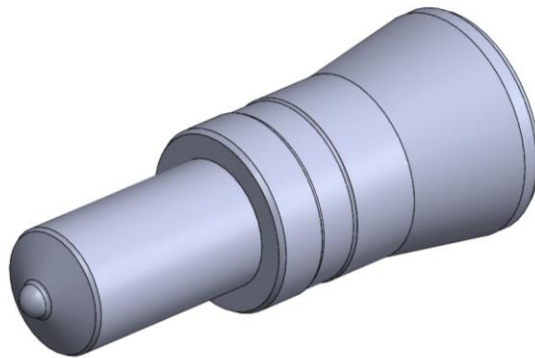
In this section are reported the information related to nozzle and micro holes angular position

Engine Angle	Spray Angle
A	B



OEM CODES AND PARTS NUMBERS ARE GIVEN FOR REFERENCE PURPOSE ONLY

MTU SERIES 4000.01



FIRAD code	L'Orange® Stamping	BOSCH® Injector Code	L'Orange® Injector Code	Engine Angle	Spray Angle	Holes
MF002	LTO-U9108a	VTO-G166W48B VTO-G466W48B	0010106951 X52407500050	0°	160°	8 x 0,32
MF005	LTO-U90905b/E	VTO-B160BM VTO-G160BM VTO-G163BD VTO-G241W48B VTO-G260BM VTO-G263BD VTO-G360BM VTO-G463BD	0010104251 X52407500042 X52407500021 X52407500043	0°		

OEM CODES AND PARTS NUMBERS ARE GIVEN FOR REFERENCE PURPOSE ONLY

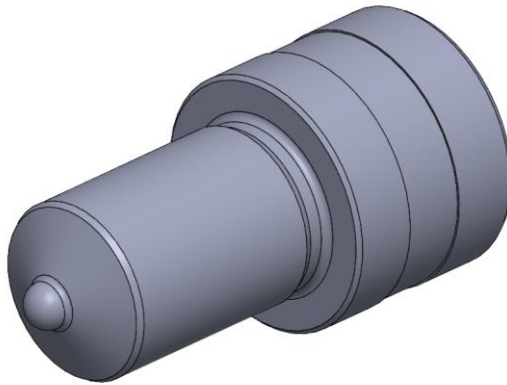


FIRAD®

LET THE FUTURE COME



MTU SERIES 4000.03

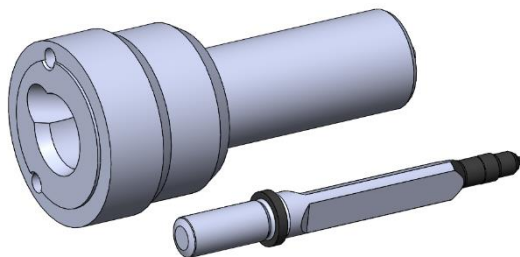


FIRAD code	L'Orange® Stamping	BOSCH® Injector Code	L'Orange® Injector Code	Engine Angle	Spray Angle	Holes
MF001	LTO-U9196IV51	VTO-G209LV51 VTO-G262L51D VTO-G202LV51	X59407500014 X59407500004	0°	125°	6 x 0,36
MF005	LTO-U9196tV46	VTO-G238TV46	X59407500016 X59407500087	0°	133°	8 x 0,32

OEM CODES AND PARTS NUMBERS ARE GIVEN FOR REFERENCE PURPOSE ONLY



MTU SERIES 2000



FIRAD code	L'Orange® Stamping	BOSCH® Injector Code	L'Orange® Injector Code	Engine Angle	Spray Angle	Holes
QKFDA 00BD4	F00BD00004	F00B LOJ 004 F00B LOJ 005 F00B LOJ 011 F00B LOJ 012 Y 431 K05 350 O 986 435 617 Y 431 K05 351 Y 431 K05 210	X51107500005 X51107500011	0°	131°	8 x 0,270
QKFDA26 5700	B433265700	VTO-G238TV46	X00040691	0°	133°	8 x 0,265

OEM CODES AND PARTS NUMBERS ARE GIVEN FOR REFERENCE PURPOSE ONLY