

IT'S BLUE
IT'S GREEN
IT'S FIRAD

Release 10 | 2024



FIRAD[®]

CUMMINS - IVECO
Cummins QSK 19/38/50/60
Iveco Vector
CATALOGUE

**OEM CODES AND PARTS NUMBERS ARE
GIVEN FOR REFERENCE PURPOSE ONLY**

OEM CODES AND PARTS NUMBERS ARE GIVEN FOR REFERENCE PURPOSE ONLY



ABBREVIATIONS

- Holes

In this section are reported the information about how many micro holes there are and their diameter, in this following way: <N.microholes> x <Diameter microholes>

- Angles

In this section are reported the information related to nozzle and micro holes angular position

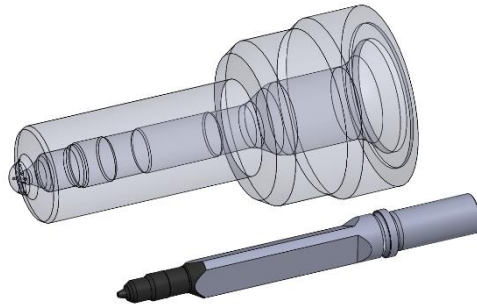
Engine Angle	Spray Angle
A	B



OEM CODES AND PARTS NUMBERS ARE GIVEN FOR REFERENCE PURPOSE ONLY

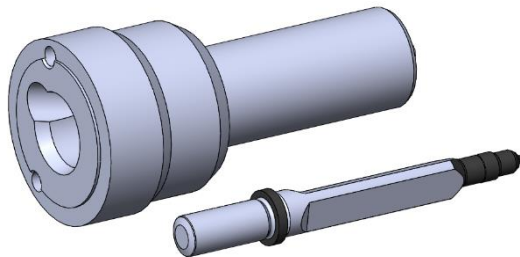


Cummins QSK Nozzles

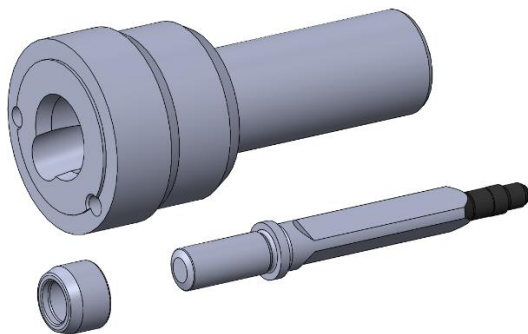


FIRAD code	Engine Angle	Spray Angle	Cummins® Part Number	Bosch® OEM Part Number	Stamping	Engines	Holes
QKFDA 00BD	0°	148°	2867147 4964171 4964172	F00BJ00000 F00BJ00001 Y431K05392 F00BL0J013 F00BL0J014 0986435900 0986435911 0986435912	F00BD00000	QSK 38/50	6 x 0,265
QKFDA 00BD1	0°	137°30'			F00BD00001	QSK 19/38/50 /60	6 x 0,320
QKFDA 00BD2	0°	139°	2867149	F00BJ00004 F00BJ00005 0986435614 Y431K05141	F00BD00002	QSK 19	6 x 0,275
QKFDA 00BD6	0°	153°			F00BD00006	QSK 19/38/50 /60 GE P 616	9 x 0,285

OEM CODES AND PARTS NUMBERS ARE GIVEN FOR REFERENCE PURPOSE ONLY



FIRAD code	Engine Angle	Spray Angle	L'Orange® Part Number	Bosch® OEM Part Number	Stamping	Engines	Holes
QKFDA 00BD3	0°	139°	4964170 4955524	F00BL0J019 F00BL0J020 0986435612 Y431K05420	F00BD00003	QSK 19	6 x 0,270
QKFDA 00265671	0°	149°			B433265671	QSK	6 x 0,260



FIRAD code	Engine Angle	Spray Angle	Cummins® Part Number	Bosch® OEM Part Number	Stamping	Engines	Holes
QKFDA 00265191	0°	145°		Y431K05194 Y431K05298	B433265191	Iveco Vector	8 x 0,245

OEM CODES AND PARTS NUMBERS ARE GIVEN FOR REFERENCE PURPOSE ONLY