

IT'S BLUE
IT'S GREEN
IT'S FIRAD

Release 09 | 2024



FIRAD®

CUMMINS ENGINE
Cummins® M11, N14, L10
CATALOGUE

**OEM CODES AND PARTS NUMBERS ARE
GIVEN FOR REFERENCE PURPOSE ONLY**

OEM CODES AND PARTS NUMBERS ARE GIVEN FOR REFERENCE PURPOSE ONLY



ABBREVIATIONS

- Holes

In this section are reported the information about how many micro holes there are and their diameter, in this following way: <N.microholes> x <Diameter microholes>

- Angles

In this section are reported the information related to nozzle and micro holes angular position

Engine Angle	Spray Angle
A	B

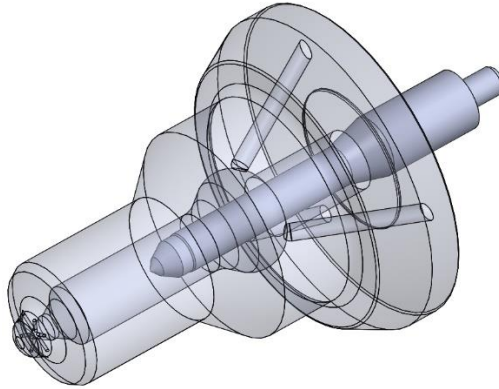


OEM CODES AND PARTS NUMBERS ARE GIVEN FOR REFERENCE PURPOSE ONLY



FIRAD®

LET THE FUTURE COME



FIRAD code	Engine Angle	Spray Angle	Stamping	Injector Part Number	Engine	Holes
108/CFD	0°	150°	26107	3070629	N14 L10	8 x 0,215
				3070739		
				3071534		
				3073995		
				3081314		
				3081315		
				3081317		
				3652516		
				3652541		
				3652542		
109/CFD	0°	148°	26108	3084589	M11	8 x 0,170
				3087557		
				3411752		
110/CFD	0°	153°	26109	3083846	N14	8 x 0,200
				3087733		
				3087560		
				3411759		
111/CFD	0°	153°	26113	3411755	M11	8 x 0,160
112/CFD	0°	153°	26114	3411758	M11	8 x 0,160
113/CFD	0°	149°	26115	3095086	N14	8 x 0,235
				3609796		
				3087788		
114/CFD	0°	146°	26116	3088178	N14	8 x 0,230
115/CFD	0°	150°	26117	3073996	L10	8 x 0,180
				3081318		

OEM CODES AND PARTS NUMBERS ARE GIVEN FOR REFERENCE PURPOSE ONLY



FIRAD code	Engine Angle	Spray Angle	Stamping	Injector Part Number	Engine	Holes
				3652540		
116/CFD	0°	159°	26122	3411753 3095040	M11	8 x 0,190
117/CFD	0°	153°	26126	3411385 3411767	N14	8 x 0,230
128/CFD	0°	152°	26127	3411381 3411691 3411765	N14	8 x 0,195
129/CFD	0°	154°	26135	3411761	N14	8 x 0,210
130/CFD	0°	142°	26137	3411766	N14	8 x 0,210
131/CFD	0°	140°	4061854 FSP	4061851	M11	8 x 0,205
132/CFD	0°	140°	4026225 FSP	4026222	M11	8 x 0,220
133/CFD	0°	130°	4903475	4903472	M11	6 x 0,215
134/CFD	0°	154°	3609855 FSP	3411760	N14	8 x 0,230
135/CFD	0°	131°	4903322 FSP	4903319	M11	6 x 0,210
136/CFD	0°	140°	4902924	4902921	M11	8 x 0,185
150/CFD	0°	154°	M-3095729			8 x 0,215
151/CFD	0°	131°			N14	6 x 0,175
152/CFD	0°	152°	FSP 4307798			6 x 0,255

OEM CODES AND PARTS NUMBERS ARE GIVEN FOR REFERENCE PURPOSE ONLY