

IT'S BLUE  
IT'S GREEN  
IT'S FIRAD

Release 09 | 2024



**FIRAD**<sup>®</sup>

BOSCH PIEZO CRIN4-21/27  
4 PIN INJECTORS  
CATALOGUE

**OEM CODES AND PARTS NUMBERS ARE  
GIVEN FOR REFERENCE PURPOSE ONLY**

OEM CODES AND PARTS NUMBERS ARE GIVEN FOR REFERENCE PURPOSE ONLY



## ABBREVIATIONS

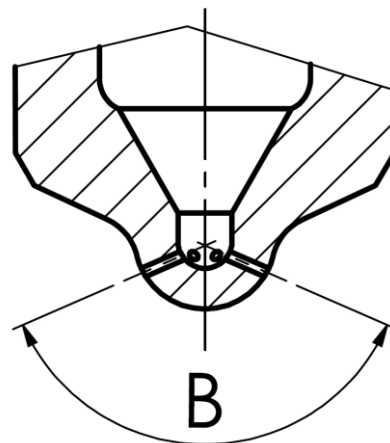
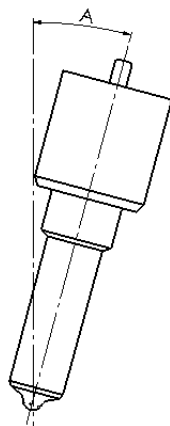
### - Holes

In this section are reported the information about how many micro holes there are and their diameter, in this following way: <N.microholes> x <Diameter microholes>

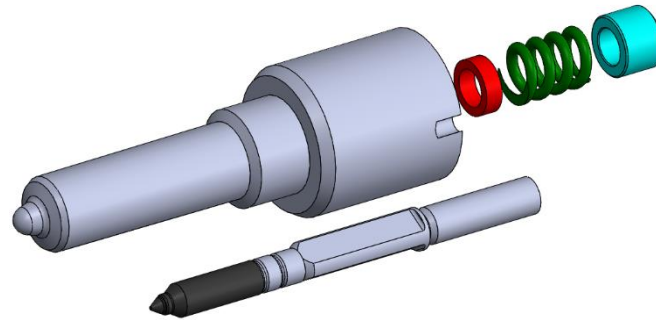
### - Angles

In this section are reported the information related to nozzle and micro holes angular position

Engine Angle	Spray Angle
A	B



OEM CODES AND PARTS NUMBERS ARE GIVEN FOR REFERENCE PURPOSE ONLY



FIRAD code	BOSCH® Stamping	BOSCH® Injector Code	BOSCH® Inj. Remanufactured Code	OE code	Vehicle/ Engine
PEF38	F00VX50038	0445120104	0986435539	MERCEDES 4720700087 MERCEDES 4720700387 MERCEDES 4720700587 MERCEDES 4720700787 MERCEDES A4720700887 MERCEDES A4720700087 MERCEDES A4720700387 MERCEDES A4720700587 MERCEDES A4720700787 MERCEDES 4720700887	Mercedes
		0445120207	0986435540		
PEF77	F00VX50077	0445120287 0445120288	0986435624	MERCEDES 4710700587 MERCEDES 47107005870080 MERCEDES A4710700587 MERCEDES A 47107005870080	Mercedes ACTROS
PEF83	F00VX50083	0445120302 0445120303	0986435646	MERCEDES 4720701087 MERCEDES 4720701187 MERCEDES 4720701287 MERCEDES A4720701087 MERCEDES A4720701187 MERCEDES A4720701287 MERCEDES RA4600701387 MERCEDES RA4720701187	Mercedes AROCS Mercedes ANTOS
PEF376	B437176376	0445120298 0445120299	0986435622	MERCEDES 4700700087 MERCEDES 47007000870080 MERCEDES A47007000870080 MERCEDES A4700700087	MERCEDES Actros – CapaCity – Citaro – Conecto - Integro

OEM CODES AND PARTS NUMBERS ARE GIVEN FOR REFERENCE PURPOSE ONLY

## Bosch piezoelectric nozzle geometric features

FIRAD code	BOSCH® Stamping	Engine angle	Spray angle	Holes
PEF 38	F00VX50038	0°	141°	6 x 0,195
PEF 77	F00VX50077	0°	150°	8 x 0,190
PEF 83	F00VX50083	0°	145°	7 x 0,210
PEF 376	B437176376	0°	146°	7 x 0,195

OEM CODES AND PARTS NUMBERS ARE GIVEN FOR REFERENCE PURPOSE ONLY