

IT'S BLUE
IT'S GREEN
IT'S FIRAD

Release 04 | 2025



FIRAD[®]

DENSO
INJECTOR
CATALOGUE

**OEM CODES AND PARTS NUMBERS ARE
GIVEN FOR REFERENCE PURPOSE ONLY**

OEM CODES AND PARTS NUMBERS ARE GIVEN FOR REFERENCE PURPOSE ONLY



ABBREVIATIONS

- Holes

In this section are reported the information about how many micro holes there are and their diameter, in this following way: <N.microholes> x <Diameter microholes>

- Angles

In this section are reported the information related to nozzle and micro holes angular position

Engine Angle	Spray Angle
A	B



OEM CODES AND PARTS NUMBERS ARE GIVEN FOR REFERENCE PURPOSE ONLY

Denso nozzle (1st and 2nd Generation)

FIRAD code	DENSO® Stamping	DENSO® Injector Code	DENSO® New injector code	DENSO® P/N	OE code	Vehicle/ Engine
ALLA125P889-J	DLLA125P889	095000-6480		093400-8890	John Deere RE529149 John Deere RE546776 John Deere RE528407 John Deere SE501947 ALLIANT POWER AP51800 ALLIANT POWER AP51900	John Deere 9.0
ALLA127P944-J	DLLA127P944	095000-6310		093400-9440	John Deere RE546784 John Deere RE531209 John Deere RE530362 John Deere SE501925 ALLIANT POWER AP52802 ALLIANT POWER AP52902	John Deere 4.5 John Deere 6.8
ALLA127P945-J	DLLA127P945	095000-6320		093400-9450	John Deere RE546783 John Deere RE531210 John Deere RE530361 John Deere SE50192 ALLIANT POWER AP52803 ALLIANT POWER AP52903	John Deere 4.5 John Deere 6.8
ALLA127P1098-J	DLLA127P1098	095000-6310		093400-9441	John Deere RE546784 John Deere RE531209 John Deere RE530362 John Deere SE501925 ALLIANT POWER AP52802 ALLIANT POWER AP52902	John Deere 4.5 John Deere 6.8
ALLA129P890-J	DLLA129P890	095000-6470		093400-8900	John Deere RE546777 John Deere RE528408 John Deere RE529151 John Deere SE501948 ALLIANT POWER AP51802 ALLIANT POWER AP51902	John Deere 9.0
ALLA129P983-J	DLLA129P983	095000-6880		093400-9830	John Deere RE546780 John Deere RE533454 John Deere RE532216 John Deere SE501934	John Deere 4.5 John Deere 6.8

OEM CODES AND PARTS NUMBERS ARE GIVEN FOR REFERENCE PURPOSE ONLY

FIRAD code	DENSO® Stamping	DENSO® Injector Code	DENSO® New injector code	DENSO® P/N	OE code	Vehicle/ Engine
					ALLIANT POWER AP52804 ALLIANT POWER AP52904	
ALLA133P814-J	DLLA133P814	095000-5050		093400-8140	John Deere RE507860 John Deere RE516540 John Deere RE519730 John Deere SE501924 ALLIANT POWER AP52800 ALLIANT POWER AP52900	John Deere 4.5 John Deere 6.8
ALLA133P888-J	DLLA133P888	095000-6460		093400-8880		John Deere Skidder 8.1 L
ALLA138P934-J	DLLA138P934	095000-6280		093400-9340		
ALLA139P851-J	DLLA139P851	095000-5480		093400-8510		John Deere 4045H Series 6820
ALLA139P887-J	DLLA139P887	095000-6490		093400-8870	John Deere RE529118 John Deere RE546781 John Deere RE524382 John Deere SE501926 ALLIANT POWER AP52801 ALLIANT POWER AP52901	John Deere D 7430 Engine 6068HL482 John Deere 4.5 John Deere 6.8
ALLA139P925-J	DLLA139P925	095000-6500		093400-9250	John Deere RE529414 John Deere RE529117 John Deere RE546782 John Deere SE501927 ALLIANT POWER AP52806 ALLIANT POWER AP52906	John Deere Series 30 John Deere 6501
ALLA142P793-J	DLLA142P793	095000-0801		093400-7930		ISUZU – 6SD1 Engine ver. Hong Kong
ALLA142P852-J	DLLA142P852	095000-1210		093400-8520		
ALLA143P761-J	DLLA143P761	095000-0562		093400-7610		ISUZU – 4HK1/6HK1 Engines
ALLA144P690-J	DLLA144P690	095000-0145		093400-6900		ISUZU -4HK1/6HK1 Engines
ALLA145P684-J	DLLA145P684			093400-6840		
ALLA145P748-J	DLLA145P748			093400-7480		
ALLA145P864-J	DLLA145P864	095000-5930	DCRI107760	093400-8640	TOYOTA 23670-09060 TOYOTA 23670-09061 TOYOTA 23670-09360 TOYOTA 23670-0L010 TOYOTA 23670-0L070 TOYOTA 23670-30240 TOYOTA 23670-30300	TOYOTA VIGO TOYOTA HILUX 2.5 2KD TOYOTA HIACE

OEM CODES AND PARTS NUMBERS ARE GIVEN FOR REFERENCE PURPOSE ONLY

FIRAD code	DENSO® Stamping	DENSO® Injector Code	DENSO® New injector code	DENSO® P/N	OE code	Vehicle/ Engine
					TOYOTA 23670-39235 TOYOTA 23670-39275 TOYOTA 23670-39276	
ALLA145P870-J	DLLA145P870	095000-5600	DCRI105600	093400-8700	MITSUBISHI 1465A041	MITSUBISHI L 200 MITSUBISHI TRITON MITSUBISHI PAJERO
ALLA145P875-J	DLLA145P875	095000-5760		093400-8750		MITSUBISHI PAJERO MITSUBISHI TRITON L200
ALLA145P1024-J	DLLA145P1024	095000-5931 095000-7760		093400-0240 093400-1024		TOYOTA HILUX 2.5 D-4D
ALLA145P1031-J	DLLA145P1031	095000-7500	DCRI107500	093400-1031	MITSUBISHI 1465A279	MITSUBISHI PAJERO
ALLA145P1049-J	DLLA145P1049	095000-8010 095000-8011		093400-1049	SINO VG1246080051	SINOTRUK HOWO A7
ALLA145P1091-J	DLLA145P1091			093400-1091		
ALLA146P768-J	DLLA146P768			093400-7680		
ALLA147P747-J	DLLA147P747	095000-0570	DCRI100570	093400-7470	TOYOTA 23670-27010 TOYOTA 23670-27030 TOYOTA 23670-29015 TOYOTA 23670-29035 TOYOTA 23670-29036	TOYOTA AVENSIS TOYOTA RAV 4 TOYOTA PREVIA
ALLA147P962-J	DLLA147P962	095000-7011		093400-9620		
ALLA148P763-J	DLLA148P763	095000-0540		093400-7630	John Deere RE524369 John Deere SE501941 ALLIANT POWER AP50804 ALLIANT POWER AP50904	John Deere 8.1
ALLA148P764-J	DLLA148P764	095000-0551 095000-0550		093400-7640	John Deere RE501010 John Deere RE524368 John Deere SE501940	John Deere 8.1
ALLA148P765-J	DLLA148P765	095000-0510	DCRI100510	093400-7650	NISSAN 16600-8H800	NISSANX-TRIAL 2.2
ALLA148P800-J	DLLA148P800			093400-8000		NISSAN PRIMERA
ALLA148P816-J	DLLA148P816	095000-5130		093400-8160		NISSAN XTRAIL
ALLA148P817-J	DLLA148P817	095000-5084		093400-8170		OPEL ASTRA 1.7 CDTI
ALLA148P820-J	DLLA148P820	095000-5160		093400-8200	John Deere SE501937 John Deere RE524362 John Deere RE518725 John Deere RE504181 ALLIANT POWER AP50803 ALLIANT POWER AP50903	John Deere 8.1
ALLA148P826-J	DLLA148P826	095000-5190		093400-8260		John Deere Series 8220
ALLA148P828-J	DLLA148P828	095000-5230		093400-8280	John Deere RE524360 John Deere SE501935	John Deere 8.1

OEM CODES AND PARTS NUMBERS ARE GIVEN FOR REFERENCE PURPOSE ONLY

FIRAD code	DENSO® Stamping	DENSO® Injector Code	DENSO® New injector code	DENSO® P/N	OE code	Vehicle/ Engine
					ALLIANT POWER AP50802 ALLIANT POWER AP50902	
ALLA148P872-J	DLLA148P872	095000-5650	DCRI105650	093400-8720	NISSAN 16600-EB300 NISSAN 16600-EB30E	NISSAN NAVARA NISSAN PATHFINDER NISSAN PICK UP
ALLA148P915-J	DLLA148P915	095000-6070		093400-9150		
ALLA148P924-J	DLLA148P924	095000-6130	DCRI106130	093400-9240	ISUZU 8-97376270-0 ISUZU 8-97376270-1 ISUZU 8-97376270-2 ISUZU 8-97376270-3 ISUZU 8-97376270-4 ISUZU 8-97376270-5 ISUZU 8-97376270-6 ISUZU 8-97376270-7 ISUZU 8-97376270-8 ISUZU 8-97376270-9 OPEL 5821102 VAUXHALL 97376270	OPEL ASTRA OPEL CORSA OPEL MERIVA OPEL ZAFIRA VAUXHALL ASTRA VAUXHALL CORSA VAUXHALL MERIVA VAUXHALL ZAFIRA
ALLA148P932-J	DLLA148P932	095000-6240 095000-624002D	DCRI106240	093400-9320	NISSAN 16600-MB40A NISSAN 16600-MB40E NISSAN 16600-VM00D	NISSAN CABSTAR NISSAN CV CABSTAR NISSAN FRONTIER
ALLA149P786-J	DLLA149P786	095000-0761		093400-7860		KOMATSU (6156-11-330)
ALLA149P1036-J	DLLA149P1036	095000-7560 095000-5150		093400-1036	RE524361 RE518726 SE501936	John Deere 8.1
ALLA150P24-J	DLLA150P24			093400-5240		
ALLA150P59-J	DLLA150P59			093400-5590		
ALLA150P61-J	DLLA150P61			093400-5610		
ALLA150P815-J	DLLA150P815	095000-7580	DCRI107580	093400-8150	TOYOTA 23670-09030 TOYOTA 23670-09031 TOYOTA 23670-09220 TOYOTA 23670-09250 TOYOTA 23670-0G010 TOYOTA 23670-0G020 TOYOTA 23670-0G030 TOYOTA 23670-0G040	TOYOTA AVENSIS VERSO 2.0
ALLA150P835-J	DLLA150P835	095000-5214		093400-8350		ISUZU 6WG1 Engine HITACHI
ALLA150P866-J	DLLA150P866	095000-5550		093400-8660		HYUNDAI mighty county
ALLA150P914-J	DLLA150P914	095000-5951		093400-9140		
ALLA150P927-J	DLLA150P927	095000-6222 095000-5940		093400-9270		
ALLA150P966-J	DLLA150P966	095000-6770		093400-6770		
ALLA150P991-J	DLLA150P991	095000-7172		093400-9910		

OEM CODES AND PARTS NUMBERS ARE GIVEN FOR REFERENCE PURPOSE ONLY

FIRAD code	DENSO® Stamping	DENSO® Injector Code	DENSO® New injector code	DENSO® P/N	OE code	Vehicle/ Engine
ALLA150P1052-J	DLLA150P1052	095000-8100		093400-1052		
ALLA150P1059-J	DLLA150P1059	095000-8310		093400-1059		HYUNDAI mighty county
ALLA150P1113-J	DLLA150P1113	095000-9690		093400-1113		
ALLA151P771-J	DLLA151P771	095000-0722		093400-7710		ISUZU NISSAN
ALLA152P69-J	DLLA152P69			093400-5690		
ALLA152P798-J	DLLA152P798	095000-5014		093400-7980		ISUZU 4HJ1 Engine NISSAN E13C Engine
ALLA152P805-J	DLLA152P805	095000-5030	DCRI107850	093400-8050	MAZDA RF5C13H50 MAZDA RF5C13H50A MAZDA RF5C13H50B MAZDA RF5C13H50C MAZDA RFY013H50 MAZDA RFY013H50A MAZDA RFY013H50B	MAZDA 5/6 2.0 MAZDA MPV II
ALLA152P862-J	DLLA152P862	095000-6100	DCRI106980	093400-8620	ISUZU 095000-6983 ISUZU 8-98011604-0 ISUZU 8-98011604-1 ISUZU 8-98011604-2 ISUZU 8-98011604-3 ISUZU 8-98011604-4 ISUZU 8-98011604-5 ISUZU 8-98011604-6 ISUZU 8-98011604-7 ISUZU 8-98011604-8 ISUZU 8-98011604-9 ISUZU 8-98055862-3	ISUZU DMAX / KB
ALLA152P865-J	DLLA152P865	095000-5510		093400-8650		HINO (E13C Engine)
ALLA152P879-J	DLLA152P879	095000-6693		093400-8790		
ALLA152P929-J	DLLA152P929	095000-6303		093400-9290		
ALLA152P947-J	DLLA152P947	095000-6250 095000-625002D	DCRI106250	093400-9470	NISSAN 16600-EB700 NISSAN 16600-EB70D NISSAN 16600-EC00A NISSAN 16600-EC00C NISSAN 16600-EC00E	NISSAN NAVARA NISSAN NAVARA NISSAN NP300 NISSAN PATHFINDER NISSAN PICK UP
ALLA152P980-J	DLLA152P980	095000-6980	DCRI106980	093400-9800	ISUZU 095000-6983 ISUZU 8-98011604-0 ISUZU 8-98011604-1 ISUZU 8-98011604-2 ISUZU 8-98011604-3 ISUZU 8-98011604-4 ISUZU 8-98011604-5 ISUZU 8-98011604-6 ISUZU 8-98011604-7 ISUZU 8-98011604-8	ISUZU D-MAX I ISUZU KB ISUZU ELF 300

OEM CODES AND PARTS NUMBERS ARE GIVEN FOR REFERENCE PURPOSE ONLY

FIRAD code	DENSO® Stamping	DENSO® Injector Code	DENSO® New injector code	DENSO® P/N	OE code	Vehicle/ Engine
					ISUZU 8-98011604-9 ISUZU 8-98055862-3	
ALLA152P981-J	DLLA152P981	095000-6993		093400-9810		
ALLA152P989-J	DLLA152P989			093400-9890		
ALLA150P1040-J	DLLA152P1040	095000-8370	DCRI108370	093400-1040	ISUZU 8-98119228-0 ISUZU 8-98119228-1 ISUZU 8-98119228-2 ISUZU 8-98119228-3	Isuzu D-Max
ALLA152P1072-J	DLLA152P1072	095000-8340		093400-1072	ISUZU 8-98106693-2	
ALLA152P1097-J	DLLA152P1097			093400-1097		
ALLA153P884-J	DLLA153P884	095000-5800	DCRI105800	093400-8840	CITROEN/PEUGEOT 1980.J7 FIAT 71724128 FIAT 71794621 FORD 1372379 FORD 1378432 FORD 1812618 FORD 6C1Q-9K546-AB FORD 6C1Q-9K546-AC FORD RM6C1Q-9K546-AC	CITROËN JUMPER FIAT DUCATO FORD TRANSIT FORD TRANSIT 2.2 Tourneo PEUGEOT BOXER
ALLA153P885-J	DLLA153P885	095000-7060	DCRI107060	093400-8850	FORD 1495919 FORD 1545621 FORD 6C1Q-9K546-BB FORD 6C1Q-9K546-BC FORD RM6C1Q-9K546-BC LAND ROVER LR006803 LAND ROVER LR010137	FORD TRANSIT FORD TRANSIT Tourneo LAND ROVER DEFENDER
ALLA153P958-J	DLLA153P958	095000-6630		093400-9580		
ALLA154P90-J	DLLA154P90			093400-5900		
ALLA154P669-J	DLLA154P669			093400-6690		ISUZU
ALLA154P881-J	DLLA154P881	095000-6290		093400-8810		
ALLA155P16-J	DLLA155P16			093400-5160	TOYOTA 23620-56010	
ALLA155P84-J	DLLA155P84			093400-5840		
ALLA155P683-J	DLLA155P683			093400-6830		
ALLA155P750-J	DLLA155P750					
ALLA155P753-J	DLLA155P753	095000-0750	DCRI100750	093400-7530	TOYOTA 23670-30020 TOYOTA 23670-39025 TOYOTA 23670-39026	TOYOTA LAND CRUISER
ALLA155P767-J	DLLA155P767	095000-0582		093400-7670		
ALLA155P818-J	DLLA155P818					
ALLA155P840-J	DLLA155P840			093400-8400		

OEM CODES AND PARTS NUMBERS ARE GIVEN FOR REFERENCE PURPOSE ONLY

FIRAD code	DENSO® Stamping	DENSO® Injector Code	DENSO® New injector code	DENSO® P/N	OE code	Vehicle/ Engine
ALLA155P842-J	DLLA155P842	095000-6591 095000-6593		093400-8420		Hino (Motor J08E)
ALLA155P848-J	DLLA155P848	095000-6350 095000-6353		093400-8480		ISUZU
ALLA155P856-J	DLLA155P856	095000-6603		093400-8560		
ALLA155P863-J	DLLA155P863	095000-5921		093400-8630		TOYOTA HILUX 3.0
ALLA155P876-J	DLLA155P876	095000-6040	DCRI107640		TOYOTA 23670-09140 TOYOTA 23670-09210 TOYOTA 23670-09290 TOYOTA 23670-0R020 TOYOTA 23670-0R070 TOYOTA 23670-0R120 TOYOTA 23670-0R170	TOYOTA COROLLA Verso TOYOTA RAV 4 III
ALLA155P880-J	DLLA155P880	095000-7030	DCRI107780	093400-8800	TOYOTA 23670-09070 TOYOTA 23670-09330 TOYOTA 23670-0L020 TOYOTA 23670-0L050 TOYOTA 23670-30140 TOYOTA 23670-30280 TOYOTA 23670-39185 TOYOTA 23670-39186 TOYOTA 23670-39215 TOYOTA 23670-39216 TOYOTA 23670-39316	TOYOTA HILUX III TOYOTA LAND CRUISER TOYOTA PRADO
ALLA155P935-J	DLLA155P935	095000-6380		093400-9350		
ALLA155P936-J	DLLA155P936	095000-6390		093400-9360		
ALLA155P939-J	DLLA155P939	095000-7670	DCRI107670	093400-9390	TOYOTA 23670-09180 TOYOTA 23670-09240 TOYOTA 23670-09280 TOYOTA 23670-0R030 TOYOTA 23670-0R140 TOYOTA 23670-0R190	TOYOTA AURIS TOYOTA AVENSIS TOYOTA COROLLA TOYOTA VERSO
ALLA155P941-J	DLLA155P941	095000-6510		093400-9410		
ALLA155P960-J	DLLA155P960	095000-7690 095000-6680 095000-6970 095000-7320 095000-7330 095000-7680	DCRI107690	093400-9600	TOYOTA 23670-0R050 TOYOTA 23670-09270 TOYOTA 23670-09190 TOYOTA 23670-09230 TOYOTA 23670-0R130 TOYOTA 23670-0R180	
ALLA155P965-J	DLLA155P965	095000-6700		093400-9650		Sinotruck Howo
ALLA155P970-J	DLLA155P970	095000-7530 095000-7700 095000-9780 095000-6730	DCRI109780	093400-9700	TOYOTA 23670-51020 TOYOTA 23670-51031 TOYOTA 23670-59025 TOYOTA 23670-59035 TOYOTA 23670-59037	

OEM CODES AND PARTS NUMBERS ARE GIVEN FOR REFERENCE PURPOSE ONLY

FIRAD code	DENSO® Stamping	DENSO® Injector Code	DENSO® New injector code	DENSO® P/N	OE code	Vehicle/ Engine
ALLA155P971-J	DLLA155P971	095000-8061 095000-7180		093400-9710		
ALLA155P985-J	DLLA155P985	095000-5890	DCRI107730	093400-9850	TOYOTA 23670-30080 TOYOTA 23670-30180 TOYOTA 23670-30210 TOYOTA 23670-30320 TOYOTA 23670-39135 TOYOTA 23670-39136 TOYOTA 23670-39155 TOYOTA 23670-39156 TOYOTA 23670-39295 TOYOTA 23670-39296	TOYOTA LAND CRUISER TOYOTA PRADO
ALLA155P1025-J	DLLA155P1025	095000-7781		093400-1025		
ALLA155P1030-J	DLLA155P1030			093400-1030		
ALLA155P1044-J	DLLA155P1044	095000-6520		093400-1044		
ALLA155P1062-J	DLLA155P1062	095000-8290	DCRI107780	093400-1062	TOYOTA 23670-09070 TOYOTA 23670-09330 TOYOTA 23670-0L020 TOYOTA 23670-0L050 TOYOTA 23670-30140 TOYOTA 23670-30280 TOYOTA 23670-39185 TOYOTA 23670-39186 TOYOTA 23670-39215 TOYOTA 23670-39216 TOYOTA 23670-39316	TOYOTA HILUX TOYOTA LAND CRUISER TOYOTA PRADO
ALLA155P1090-J	DLLA155P1090			093400-1090		HOWO SINOTRUCK
ALLA156P799-J	DLLA156P799	095000-5004		093400-7990		ISUZU 6WG1 Engine HITACHI
ALLA156P845-J	DLLA156P845	095000-5360		093400-8450		
ALLA156P846-J	DLLA156P846	095000-5350		093400-8460		
ALLA156P910-J	DLLA156P910			093400-9100		
ALLA157P855-J	DLLA157P855	095000-5450		093400-8550		
ALLA157P969-J	DLLA157P969	095000-8621		093400-9690		
ALLA158P834-J	DLLA158P834	095000-5226		093400-8340		Hino (Motor P13C)
ALLA158P844-J	DLLA158P844	095000-5342		093400-8440		HINO
ALLA158P854-J	DLLA158P854	095000-5471 095000-5474		093400-8540		ISUZU 6HK1 ISUZU 4HK1 Sinotruck 230/350/450 Hitachi
ALLA158P909-J	DLLA158P909	095000-5972		093400-9090		
ALLA158P984-J	DLLA158P984	095000-637X		093400-9840		
ALLA158P1092-J	DLLA158P1092	095000-5344		093400-1062		

OEM CODES AND PARTS NUMBERS ARE GIVEN FOR REFERENCE PURPOSE ONLY

FIRAD code	DENSO® Stamping	DENSO® Injector Code	DENSO® New injector code	DENSO® P/N	OE code	Vehicle/ Engine
ALLA158P1096-J	DLLA158P1096	095000-8901		093400-1096		ISUZU VOLVO SERIES 7
ALLA160P3-J	DLLA160P3			093400-5030		
ALLA160P50-J	DLLA160P50			093400-5500		

Denso nozzle 3rd Generation

(Needle Ø 3,50 mm)

FIRAD code	DENSO® Stamping	DENSO® Injector Code	DENSO® New injector code	DENSO® P/N	OE code	Vehicle/ Engine
ALLA129G3S17	G3S17	295050-0610			John Deere RE543605 John Deere RE543352 John Deere SE502556	
ALLA133G3S19	G3S19	095000-0590			John Deere RE545562 John Deere RE543351 John Deere SE502671 ALLIANT POWER AP52807 ALLIANT POWER AP52907	John Deere 4.5L, 6.8L, 8.1L, 9.0L Engine
ALLA134G3S18	G3S18	295050-0600			John Deere RE543606 John Deere RE543354 John Deere SE502557	
ALLA144G3S32	G3S32	295050-0560 295050-0740	DCRI300560		mitsubishi 1465A351	MITSUBISHI PAJERO Classic MITSUBISHI PAJERO IV
ALLA144G3S33	G3S33	295050-0810	DCRI300810		TOYOTA 23670-09380 TOYOTA 23670-OL110	TOYOTA HILUX 2.5 2KD
ALLA145G3S45	G3S45	295050-0890				MITSUBISHI L200
ALLA145G3S50	G3S50	095000-0960 295050-0960			166005-5x30A	TOYOTA VIGO GM Pick-up S10
ALLA146G3S53	G3S53	529 6723				CUMMINS
ALLA146G3S11	G3S11	095000-0260				HIMO 500
ALLA146G3S53	G3S53	529 6723				CUMMINS
ALLA146G3S112	G3S112	534 4766		9729505-220X		CUMMINS
ALLA 143 G3S114	G3S114	295050-225#				
ALLA146G3S115	G3S115					

OEM CODES AND PARTS NUMBERS ARE GIVEN FOR REFERENCE PURPOSE ONLY



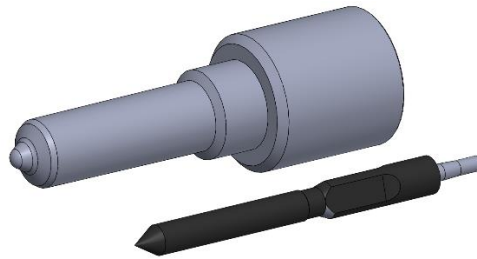
ALLA148G3S77	G3S77	295050-1760			1465A439	PERKINS Engine TRITON MITSUBISHI L200
ALLA150G3S7	G3S7	295050-0190 295050-0530	DCRI300470		TOYOTA 23670-09340 TOYOTA 23670-OL100 TOYOTA 23670-30410 TOYOTA 23670-39355	TOYOTA HILUX III
ALLA151G3S10	G3S10	295050-0300	DCRI300300		NISSAN 16600-1AT0A NISSAN 16600-5X00A	NISSAN MURANO NISSAN NAVARA NISSAN NAVARA NISSAN NP300 NISSAN PATHFINDER NISSAN PICK UP
ALLA151G3S79	G3S79	295050-1590			Toyota 23670-E0590	ISUZU Truck
ALLA151G3S93	G3S93	295050-1550 295050-2900				ISUZU Truck
ALLA152G3S14	G3S14	095000-0323			ALLIANT POWER AP53908	
ALLA152G3S37	G3S37	095000-0470			TOYOTA 23670-OL100 TOYOTA 23670-30410 TOYOTA 23670-09340	TOYOTA Hilux 3.0
ALLA152G3S51	G3S51				166005x30A	NISSAN FRONTIER Sel 2.5
ALLA152G3S56	G3S56	528 4016				CUMMINS
ALLA152G3S82	G3S82	11200-E1EC0 D720112010 E1EC011610 01T01693				CUMMINS Engine
ALLA152G3S92	G3S92	295050-1540 8-98246751-0				ISUZU
ALLA153G3S41	G3S41	295050-0760			Toyota 23670-E9260	HINO N04C engine
ALLA153G3S48	G3S48	295050-0930				ISUZU Truck
ALLA153G3S103	G3S103					
ALLA153G3S120	G3S120	536 5904				CUMMINS
ALLA153G3S127	G3S127	536 7913				CUMMINS
ALLA153G3S155	G3S155					
ALLA154G3S6	G3S6	295050-0460 095050-052X	DCRI300460		TOYOTA 23670-30400 TOYOTA 23670-39365	TOYOTA HILUX 3.0 4WD TOYOTA LAND CRUISER TOYOTA PRADO
ALLA154G3S43	G3S43	295050-0770	DCRI300770		OPEL 55570012 VAUXHALL 821035 VAUXHALL 95521531 GM 55596708	OPEL ASTRA OPEL MERIVA OPEL MOKKA OPEL ZAFIRA VAUXHALL ZAFIRA CHEVROLET CRUZE CHEVROLET EQUINOX GMC TERRAIN
ALLA154G3S47	G3S47	295050-1900 295050-0910 8-98260109-0 8-98159583-1				ISUZU DMAX

OEM CODES AND PARTS NUMBERS ARE GIVEN FOR REFERENCE PURPOSE ONLY



ALLA154G3S99	G3S99	295050-1450 295050-2870 8-98259287-0				ISUZU Truck
ALLA158G3S91	G3S91	295050-1520 8-98243863-0			15208630 11T01106	ISUZU Truck

Denso piezoelectric nozzle 2nd Generation

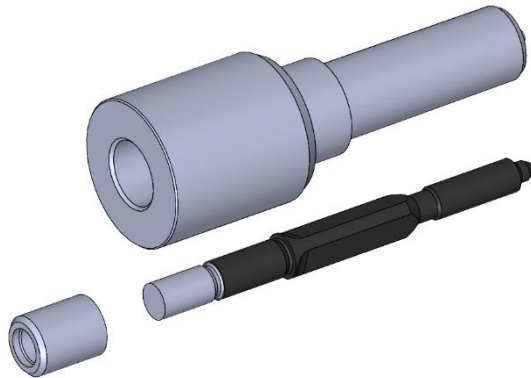


FIRAD code	DENSO® Stamping	DENSO® Injector Code	DENSO® New injector code	DENSO® P/N	OE code	Vehicle/ Engine
ALLA154G2P1	G2P1	295900-0010				
ALLA156G2P3	G2P3	295900-0110 295000-0110	DCRI200110		TOYOTA 23670-0R040 TOYOTA 23670-0R041 TOYOTA 23670-26011 TOYOTA 23670-26020 TOYOTA 23670-26020-2 TOYOTA 23670-29055 TOYOTA 23670-29105	LEXUS IS II TOYOTA AURIS (E15) TOYOTA AVENSIS TOYOTA AVENSIS TOYOTA COROLLA TOYOTA RAV 4 III TOYOTA RAV 4 IV TOYOTA VERSO

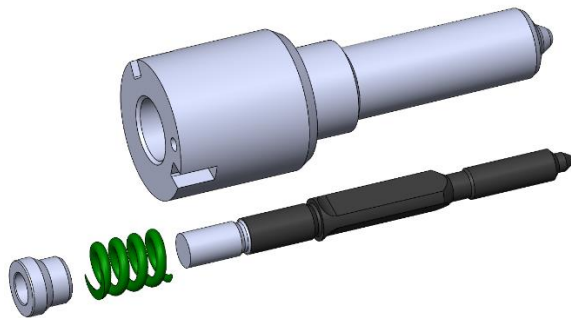
OEM CODES AND PARTS NUMBERS ARE GIVEN FOR REFERENCE PURPOSE ONLY



Denso piezoelectric nozzle 3rd Generation



FIRAD code	DENSO® Stamping	DENSO® Injector Code	DENSO® New injector code	DENSO® P/N	OE code	Vehicle/ Engine
KGCF1	GCF1	095000-1020				SINOCMP Engine



FIRAD code	DENSO® Stamping	DENSO® Injector Code	DENSO® New injector code	DENSO® P/N	OE code	Vehicle/ Engine
KG3P004	G3P004	295900-0170 295900-0420	DCRI200420		LEXUS 23670-26061 LEXUS 23670-29125 LEXUS 23670-29126 TOYOTA 23670-0R090 TOYOTA 23670-0R091 TOYOTA 23670-26060	TOYOTA AVENSIS TOYOTA RAV 4 III TOYOTA RAV 4 IV TOYOTA VERSO
KG3P005	G3P005	295900-0180 295900-0430	DCRI200430		TOYOTA 23670-0R100 TOYOTA 23670-0R101 TOYOTA 23670-26070 TOYOTA 23670-26071	TOYOTA AURIS TOYOTA AVENSIS TOYOTA COROLLA TOYOTA RAV 4 IV

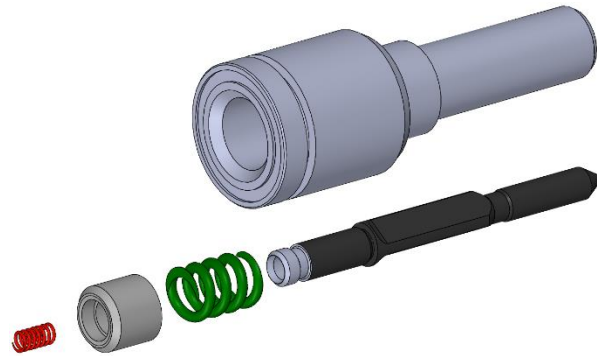
OEM CODES AND PARTS NUMBERS ARE GIVEN FOR REFERENCE PURPOSE ONLY

					TOYOTA 23670-29115 TOYOTA 23670-29116	TOYOTA VERSO
KG3P008	G3P008		DCRI200280		TOYOTA 23670-30450 TOYOTA 23670-30455	TOYOTA HILUX
KG3P012	G3P012	29500-0270			TOYOTA 23670-30270	TOYOTA HILUX
KG3P016	G3P016	295900-0420	DCRI200420		LEXUS 23670-26061 LEXUS 23670-29125 LEXUS 23670-29126 TOYOTA 23670-0R090 TOYOTA 23670-0R091 TOYOTA 23670-26060	TOYOTA AVENSIS TOYOTA RAV 4 III TOYOTA RAV 4 IV
KG3P017	G3P017	295900-0430	DCRI200430		TOYOTA 23670-0R100 TOYOTA 23670-0R101 TOYOTA 23670-26070 TOYOTA 23670-26071 TOYOTA 23670-29115 TOYOTA 23670-29116	TOYOTA AURIS TOYOTA AVENSIS TOYOTA COROLLA TOYOTA VERSO
KG3P020	G3P020	295900-0480	DCRI200480		TOYOTA 23670-51060 TOYOTA 23670-59045 LEXUS 23670-51060 LEXUS 23670-59045	TOYOTA LANDCRUISER TOYOTA LX

OEM CODES AND PARTS NUMBERS ARE GIVEN FOR REFERENCE PURPOSE ONLY



Denso nozzle 4th Generation



FIRAD code	DENSO® Stamping	DENSO® Injector Code	DENSO® New injector code	DENSO® P/N	OE code	Vehicle/ Engine
KG4S008	G4S008	295700-0560			TOYOTA 23670-0E020	TOYOTA HILUX REVO
KG4S009	G4S009	295700-0550			TOYOTA 23670-0E010	TOYOTA HILUX
KG4S011	G4S011	295700-0140			HYUNDAI 33800-4A900	
KG4S012	G4S012				MAZDA S550-13H50	MAZDA CX 5 MAZDA 6
KG4S016	G4S016	295700-0101			1 J508-53053	
KG4S023	G4S023				GM 12678992	
KG4S039	G4S039	295700-0820			HYUNDAI 33800-4C930 HYUNDAI 33800-4C940	
KG4S054	G4S054				898399-6180	TOYOTA HILUX
KG4S060	G4S060				TOYOTA 23670-0E070	
KG4S070	G4S070				TOYOTA 23670-0E060	
KG4S073	G4S073				TOYOTA 23670-52010 TOYOTA 23670-59065	TOYOTA LANDCRUISER

OEM CODES AND PARTS NUMBERS ARE GIVEN FOR REFERENCE PURPOSE ONLY

Denso nozzle (1st and 2nd Generation) geometric features

FIRAD code	DENSO® Stamping	Engine angle	Spray angle	Holes	Needle diameter
ALLA125P889-J	DLLA125P889	0°	125°	6 x 0,200	4,00
ALLA127P944-J	DLLA127P944	14°	127°	5 x 0,180	4,00
ALLA127P945-J	DLLA127P945	14°	127°	5 x 0,155	4,00
ALLA127P1098-J	DLLA127P1098	14°	127°	5 x 0,190	4,00
ALLA129P890-J	DLLA129P890	0°	129°	6 x 0,185	4,00
ALLA129P983-J	DLLA129P983	0°	129°	6 x 0,190	4,00
ALLA133P814-J	DLLA133P814	0°	133°	6 x 0,175	4,00
ALLA133P888-J	DLLA133P888	0°	133°	5 x 0,185	4,00
ALLA138P934-J	DLLA138P934	0°	138°	6 x 0,305	4,00
ALLA139P851-J	DLLA139P851	0°	139°	6 x 0,175	4,00
ALLA139P887-J	DLLA139P887	0°	139°	6 x 0,170	4,00
ALLA139P925-J	DLLA139P925	0°	139°	6 x 0,165	4,00
ALLA142P793-J	DLLA142P793	0°	142°	6 x 0,225	4,00
ALLA142P852-J	DLLA142P852	0°	142°	6 x 0,245	4,00
ALLA143P761-J	DLLA143P761	0°	143°	6 x 0,280	4,00
ALLA144P690-J	DLLA144P690	0°	144°	7 x 0,160	4,00
ALLA145P684-J	DLLA145P684	0°	145°	6 x 0,195	4,00
ALLA145P748-J	DLLA145P748	0°	145°	6 x 0,215	4,00
ALLA145P864-J	DLLA145P864	0°	145°	6 x 0,145	4,00
ALLA145P870-J	DLLA145P870	0°	145°	6 x 0,150	4,00
ALLA145P875-J	DLLA145P875	0°	145°	6 x 0,160	4,00
ALLA145P1024-J	DLLA145P1024	0°	145°	6 x 0,140	4,00
ALLA145P1031-J	DLLA145P1031	0°	145°	7 x 0,155	4,00
ALLA145P1049-J	DLLA145P1049	0°	145°	8 x 0,210	4,00
ALLA145P1091-J	DLLA145P1091	0°	145°	8 x 0,190	4,00
ALLA146P768-J	DLLA146P768	15°	146°	6 x 0,1875	4,00
ALLA147P747-J	DLLA147P747	0°	147°	6 x 0,135	4,00
ALLA147P962-J	DLLA147P962	0°	147°	8 x 0,110	4,00
ALLA148P763-J	DLLA148P763-J	0°	148°	8 x 0,185	4,00
ALLA148P764-J	DLLA148P764	0°	148°	7 x 0,200	4,00
ALLA148P765-J	DLLA148P765	0°	148°	6 x 0,180	4,00
ALLA148P800-J	DLLA148P800	0°	148°	6 x 0,165	4,00

OEM CODES AND PARTS NUMBERS ARE GIVEN FOR REFERENCE PURPOSE ONLY

FIRAD code	DENSO® Stamping	Engine angle	Spray angle	Holes	Needle diameter
ALLA148P816-J	DLLA148P816	0°	148°	7 x 0,150	4,00
ALLA148P817-J	DLLA148P817	0°	148°	6 x 0,120	4,00
ALLA148P826-J	DLLA148P826	0°	148°	7 x 0,160	4,00
ALLA148P872-J	DLLA148P872	0°	148°	8 x 0,155	4,00
ALLA148P915-J	DLLA148P915	0°	148°	6 x 0,225	4,00
ALLA148P924-J	DLLA148P924	0°	148°	7 x 0,125	4,00
ALLA148P932-J	DLLA148P932	0°	148°	8 x 0,125	4,00
ALLA149P786-J	DLLA149P786	18	149°	8 x 0155	4,00
ALLA149P1036-J	DLLA149P1036	3°30'	149°	7 x 0,190	4,00
ALLA150P24-J	DLLA150P24	15°	150°	5 x 0,250	4,00
ALLA150P59-J	DLLA150P59	19°	150°	4 x 0,300	4,00
ALLA150P61-J	DLLA150P61	15°	150°	4 x 0,280	4,00
ALLA150P815-J	DLLA150P815	0°	150°	6 x 0,115	4,00
ALLA150P835-J	DLLA150P835	0°	150°	6 x 0,200	4,00
ALLA150P866-J	DLLA150P866	16°	150°	6 x 0,170	4,00
ALLA150P914-J	DLLA150P914	12°	150°	6 x 0,170	4,00
ALLA150P927-J	DLLA150P927	0°	150°	8 x 0,170	4,00
ALLA150P991-J	DLLA150P991	0°	150°	6 x 0,225	4,00
ALLA150P1052-J	DLLA150P1052	12°	150°	8 x 0,190	4,00
ALLA150P1059-J	DLLA150P1059	16°	150°	6 x 0,170	4,00
ALLA150P1113-J	DLLA150P1113	0°	150°	6 x 0,150	4,00
ALLA151P771-J	DLLA151P771	0°	151°	5 x 0,215	4,00
ALLA152P69-J	DLLA152P69		152°	5 x 0,300	4,00
ALLA152P798-J	DLLA152P798	0°	152°	6 x 0,195	4,00
ALLA152P805-J	DLLA152P805	0°	152°	6 x 0,130	4,00
ALLA152P862-J	DLLA152P862	0°	152°	6 x 0,145	4,00
ALLA152P865-J	DLLA152P865	0°	152°	8 x 0,190	4,00
ALLA152P879-J	DLLA152P879	0°	152°	6 x 0,120	4,00
ALLA152P929-J	DLLA152P929	0°	152°	8 x 0,215	4,00
ALLA152P947-J	DLLA152P947	0°	152°	8 x 0,150	4,00
ALLA152P980-J	DLLA152P980	0°	152°	6 x 0,140	4,00
ALLA152P981-J	DLLA152P981	0°	152°	6 x 0,135	4,00
ALLA152P989-J	DLLA152P989	0°	152°	8 x 0,140	4,00
ALLA152P1072-J	DLLA152P1072	0°	152°	8 x 0,125	4,00
ALLA152P1097-J	DLLA152P1097	0°	152°	8 x 0,190	4,00
ALLA153P884-J	DLLA153P884	0°	153°	7 x 0,110	4,00

OEM CODES AND PARTS NUMBERS ARE GIVEN FOR REFERENCE PURPOSE ONLY

FIRAD code	DENSO® Stamping	Engine angle	Spray angle	Holes	Needle diameter
ALLA153P885-J	DLLA153P885	0°	153°	7 x 0,120	4,00
ALLA153P958-J	DLLA153P958	0°	153°	9 x 0,145	4,00
ALLA155P1030-J	DLLA155P1030	0°	153°	7 x 0,145	4,00
ALLA155P1044-J	DLLA155P1044	0°	155°	6 X 0,165	4,00
ALLA154P669-J	DLLA154P669	0°	154°	5 x 0,240	4,00
ALLA154P881-J	DLLA154P881	0°	154°	6 x 0,135	4,00
ALLA155P16-J	DLLA155P16	16°	155°	5 x 0,260	4,00
ALLA155P84-J	DLLA155P84	17°	155°	5 x 0,280	4,00
ALLA155P683-J	DLLA155P683	0°	155°	6 x 0,245	4,00
ALLA155P753-J	DLLA155P753	0°	155°	7 x 0,155	4,00
ALLA155P767-J	DLLA155P767	0°	155°	6 x 0,160	4,00
ALLA155P818-J	DLLA155P818	0°	155°	8 x 0,125	4,00
ALLA155P840-J	DLLA155P840	0°	155°	6 x 0,160	4,00
ALLA155P842-J	DLLA155P842	0°	155°	6 x 0,205	4,00
ALLA155P848-J	DLLA155P848	0°	155°	6 x 0,170	4,00
ALLA155P856-J	DLLA155P856	0°	155°	7 x 0,185	4,00
ALLA155P863-J	DLLA155P863	0°	155°	8 x 0,125	4,00
ALLA155P876-J	DLLA155P876	0°	155°	9 x 0,105	4,00
ALLA155P880-J	DLLA155P880	0°	155°	8 x 0,125	4,00
ALLA155P939-J	DLLA155P939	0°	155°	8 x 0,105	4,00
ALLA155P941-J	DLLA155P941	0°	155°	6 x 0,140	4,00
ALLA155P960-J	DLLA155P960	0°	153°30'	9 x 0,100	4,00
ALLA155P965-J	DLLA155P965	0°	155°	8 x 0,195	4,00
ALLA155P970-J	DLLA155P970	0°	155°	9 x 0,110	4,00
ALLA155P971-J	DLLA155P971	0°	155°	9 x 0,100	4,00
ALLA155P985-J	DLLA155P985	0°	155°	8 x 0,130	4,00
ALLA155P1025-J	DLLA155P1025	0°	155°	8 x 0,130	4,00
ALLA155P1044-J	DLLA155P1044	0°	155°	6 x 0,165	4,00
ALLA155P1062-J	DLLA155P1062	0°	155°	8 x 0,125	4,00
ALLA155P1090-J	DLLA155P1090	19°	155°	7 x 0,175	4,00
ALLA156P799-J	DLLA156P799	0°	156°	6 x 0,180	4,00
ALLA156P910-J	DLLA156P910	0°	156°	6 x 0,145	4,00
ALLA157P855-J	DLLA157P855	0°	157°	6 x 0,150	4,00
ALLA157P969-J	DLLA157P969	0°	157°	6 x 0,150	4,00
ALLA158P834-J	DLLA158P834	0°	158°	8 x 0,210	4,00
ALLA158P844-J	DLLA158P844	0°	158°	7 x 0,145	4,00

OEM CODES AND PARTS NUMBERS ARE GIVEN FOR REFERENCE PURPOSE ONLY

FIRAD code	DENSO® Stamping	Engine angle	Spray angle	Holes	Needle diameter
ALLA158P854-J	DLLA158P854	0°	158°	7 x 0,160	4,00
ALLA158P909-J	DLLA158P909	0°	158°	8 x 0,200	4,00
ALLA158P984-J	DLLA158P984	0°	158°	7 x 0,160	4,00
ALLA158P1096-J	DLLA158P1096	0°	158°	7 x 0,160	4,00
ALLA158P1092-J	DLLA158P1092	0°	158°	7 x 0,145	4,00
ALLA160P3-J	DLLA160P3	16°	160°	5 x 0,285	4,00
ALLA160P50-J	DLLA160P50	16°	160°	5 x 0,280	4,00

Denso nozzle 3rd Generation geometric features (∅ 3,50 mm)

FIRAD code	DENSO® Stamping	Engine angle	Spray angle	Holes	Needle diameter
ALLA129G3S17	G3S17	0°	129°	6 x 0,175	3,50
ALLA133G3S19	G3S19	0°	133°	6 x 0,135	3,50
ALLA134G3S18	G3S18	0°	134°	6 x 0,155	3,50
ALLA144G3S32	G3S32	0°	144°	8 x 0,140	3,50
ALLA144G3S33	G3S33	0°	144°	6 x 0,140	3,50
ALLA145G3S45	G3S45	0°	145°	7 x 0,145	3,50
ALLA145G3S50	G3S50	0°	145°	7 X 0,145	3,50
ALLA146G3S11	G3S11	0°	146°	7 X 0,155	3,50
ALLA146G3S53	G3S53	0°	146°	8 x 0,140	3,50
ALLA146G3S112	G3S112	0°	146°	8 x 0,145	3,50
ALLA148G3S77	G3S77	0°	148°	8 x 0,125	3,50
ALLA150G3S7	G3S7	0°	150°	6 x 0,125	3,50
ALLA151G3S10	G3S10	0°	151°	8 x 0,150	3,50
ALLA151G3S79	G3S79	0°	151°	6 x 0,225	3,50
ALLA151G3S93	G3S93	0°	151°	8 x 0,210	3,50
ALLA152G3S37	G3S37	0°	152°	8 x 0,140	3,50
ALLA152G3S51	G3S51	0°	152°	8 x 0,160	3,50
ALLA152G3S56	G3S56	18°	152°	6 x 0,160	3,50
ALLA152G3S82	G3S82	0°	152°	8 x 0,140	3,50
ALLA152G3S92	G3S92	0°	152°	6 x 0,140	3,50

OEM CODES AND PARTS NUMBERS ARE GIVEN FOR REFERENCE PURPOSE ONLY

FIRAD code	DENSO® Stamping	Engine angle	Spray angle	Holes	Needle diameter
ALLA153G3S48	G3S48	0°	153°	7 x 0,120	3,50
ALLA153G3S41	G3S41	0°	153°	7 x 0,135	3,50
ALLA153G3S103	G3S103	0°	153°	8 x 0,135	3,50
ALLA153G3S120	G3S120	18°	153°	6 x 0,160	3,50
ALLA153G3S127	G3S127	18°	153°	7 x 0,165	3,50
ALLA154G3S6	G3S6	0°	154°	8 x 0,125	3,50
ALLA154G3S43	G3S43	0°	154°	8 x 0,110	3,50
ALLA154G3S47	G3S47	0°	154°	8 x 0,115	3,50
ALLA154G3S99	G3S99	0°	154°	8 x 0,190	3,50
ALLA158G3S91	G3S91	0°	158°	7 x 0,160	3,50

Denso nozzle 4th Generation

FIRAD code	DENSO® Stamping	Engine angle	Spray angle	Holes	Needle diameter
//	G4S011	0°	150°	8 x 0,125	4,00
//	G4S016	0°	150°	7 x 0,135	4,00
//	G4S009	0°	155°	9 x 0,110	4,00
//	G4S023	0°	155°	8 x 0,130	4,00
//	G4S054	0°	155°	8 x 0,130	4,00
//	G4S008	0°	156°	8 x 0,100	4,00
//	G4S070	0°	158°	9 x 0,250	4,00
//	GCF1	0°	146°	8 x 0,140	4,00

Denso piezoelectric nozzle 2nd Generation

FIRAD code	DENSO® Stamping	Engine angle	Spray angle	Holes	Needle diameter
ALLA154G2P1	G2P1	0°	154°	10 x 0,135	4,00
ALLA156G2P3	G2P3	0°	156°	10 x 0,130	4,00

OEM CODES AND PARTS NUMBERS ARE GIVEN FOR REFERENCE PURPOSE ONLY

Denso piezoelectric nozzle 3rd Generation

FIRAD code	DENSO® Stamping	Engine angle	Spray angle	Holes	Needle diameter
//	G3P004	0°	152°	9 x 0,10	4,00
//	G3P012	0°	152°	10 x 0,120	4,00
//	G3P016	0°	152°	9 x 0,10	4,00
//	G3P005	0°	154°	9 x 0,09	4,00
//	G3P017	0°	154°	9 x 0,09	4,00
//	G3P020	0°	155°	8 x 0,105	4,00

OEM CODES AND PARTS NUMBERS ARE GIVEN FOR REFERENCE PURPOSE ONLY